

## Augmented Category 6 Shielded Tool-free Jack



High performance, Category 6A, shielded jack with an industry leading electrical performance providing exceptional levels of headroom.

Very short depth – fits easily into the back boxes of desk, floor and wall outlets.

Tool-free technology with a uniquely design stuffer cap – for fast, intuitive and easy termination.

360° cable shield termination for EMI protection.

Independent Third Party Verification (3P).

Rear, top, bottom or side cable entry suitable for all installations.

Narrow width – to fit 24 jacks side by side in 1U panels and to fit multiple jacks in the smallest outlets.

For use in ISO/IEC and CENELEC Class EA and ANSI/TIA/EIA Category 6A cabling systems, the jack meets the following standards:

- ISO/IEC 11801:2002 Amendment 1 and Draft Amendment 2 Class EA
- EN 50173-1 draft Amendment for Class EA
- ANSI/TIA/EIA 568-C series - Augmented Category 6

Suitable for all LAN applications described in the Class performance levels including PoE & PoEP (IEEE 802.3af and IEEE802.3at).

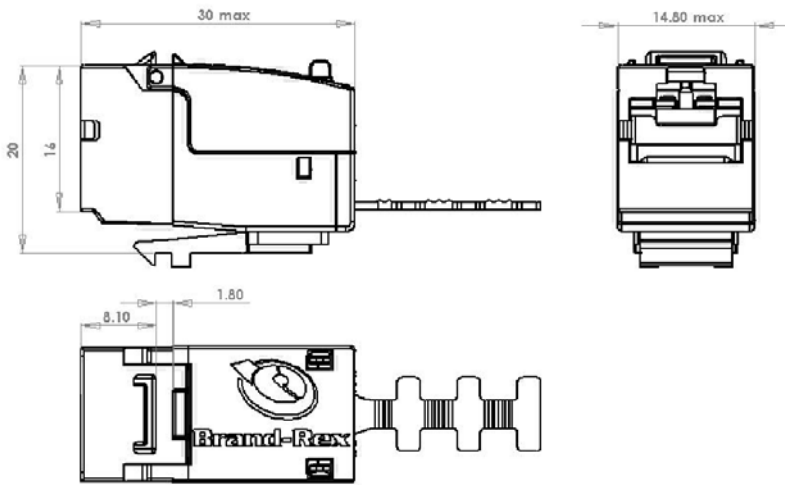
### PRODUCT DESCRIPTION

The new 10GPlus Shielded Tool-free Snap-in-Jack is easy and quick to install, its compact construction and multiple cable-entry options make it the most flexible product of its type available. It is smaller and shorter than traditional products, allowing it to fit more comfortably into confined spaces. The jack also features an adjustable management element allowing for a rear, top or side-entry cable termination.

Designed for use in all structured cabling environments including the general office and data centres, the jack can be installed in patch panels, wall outlets and floor box modules to provide a robust and versatile solution.

The 10GPlus system is an Augmented Category 6 and Class EA solution set that is fully backwards compatible to Cat6 (Class E) and Cat5e (Class D) products. The jack is fully compatible with all our UK and Continental style faceplates and patch panel products.

Product Characteristics



Also available in Category 6

Product Part Numbering

Description	Catalogue Number	Quantity per pack
Augmented Category 6 Shielded Tool-free Jack	AC6JAKS000	12

Packaging

- 12 pack vacuum formed trays – to improve jack protection, reduce waste and shorten installation time.
- Termination instruction are printed on the reverse of the packaging.

Installation

- Suited for both EIA/TIA 568 A & B wiring schemes.
- Suitable for installation indoors in:
  - Desk boxes
  - Wall outlets
  - Floor boxes
  - Patch Panels

Reliability

- Conforms to all of the physical reliability requirements defined in the IEC 60603-7 series of standards and the EIA/TIA 568 C set (including 'over-stress' testing up to 2,500 insertion cycles with a standard plug).

Dimensions

- 30mm x 14.8mm x 20mm (d×w×h)

Environmental conditions

- Operating temperature range -10°C to +60°C
- Storage temperature range -40°C to +70°C

Material data

- Nickel and gold plated Phosphor Bronze Array contacts.
- Tin plated titanium copper IDC contacts.
- Zinc cast connector shell.

The information contained in this document is valid and correct at the time of issue. However, we reserve the right to modify details without notice in the light of subsequent Standard / Specification changes and ongoing technical developments.  
© Brand-Rex Limited 2010

Literature Ref: 10GKEYSTONEJACK/F/UK/1 0510

**brand-rex head office**  
viewfield industrial estate  
glenrothes, fife  
KY6 2RS  
united kingdom

**tel:** +44 (0) 1592 772124  
**fax:** +44 (0) 1592 775314  
**web:** www.brand-rex.com

